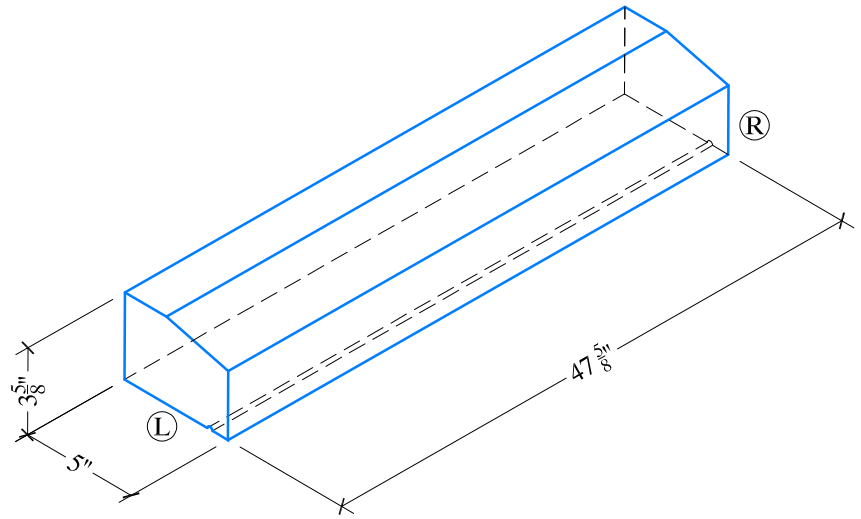
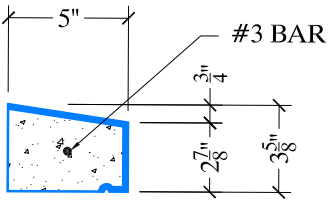


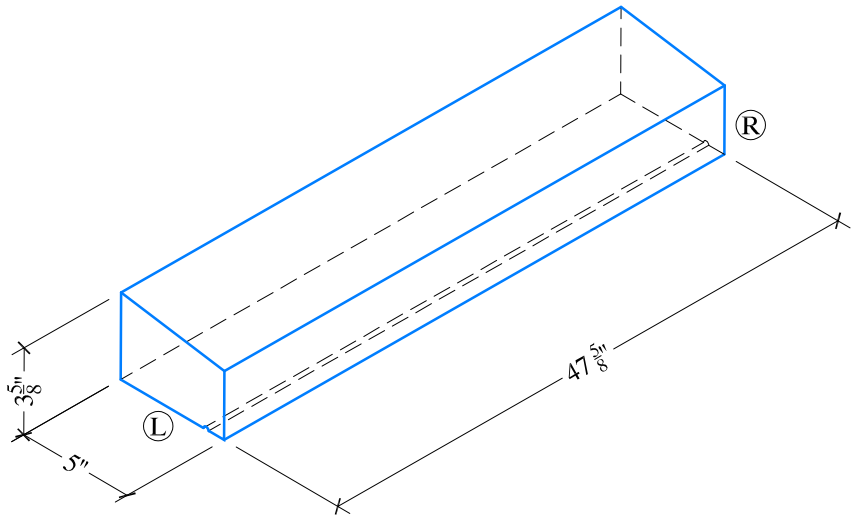
SILL (S1)



STANDARD UNIT



SILL (S2)  
1 1/2" = 1'-0"



STANDARD UNIT

Contact: \_\_\_\_\_ Company: \_\_\_\_\_ Phone: \_\_\_\_\_ Fax: \_\_\_\_\_