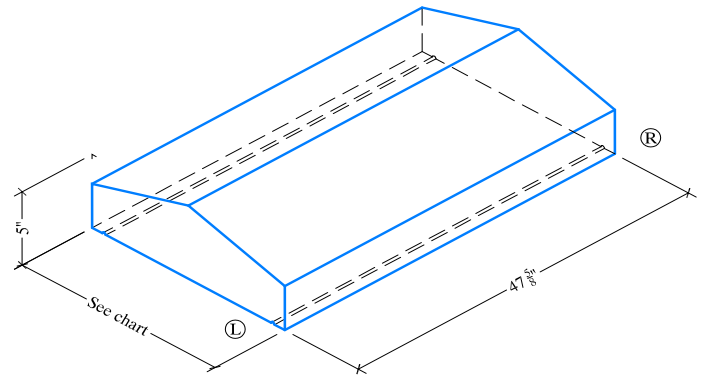
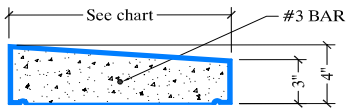


COPING (C1)

Size Chart
10"
12"
14"
16"
24"

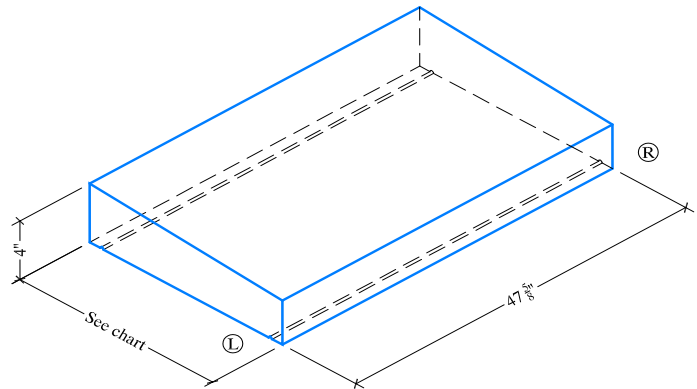


STANDARD UNIT

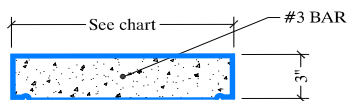


COPING (C2)

Size Chart
10"
12"
14"
16"
24"

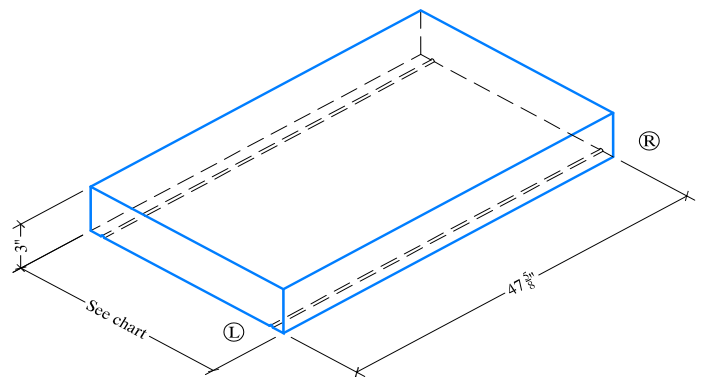


STANDARD UNIT



COPING (C3)

Size Chart
10"
12"
14"
16"
24"



STANDARD UNIT

Contact: _____ Company: _____ Phone: _____ Fax: _____