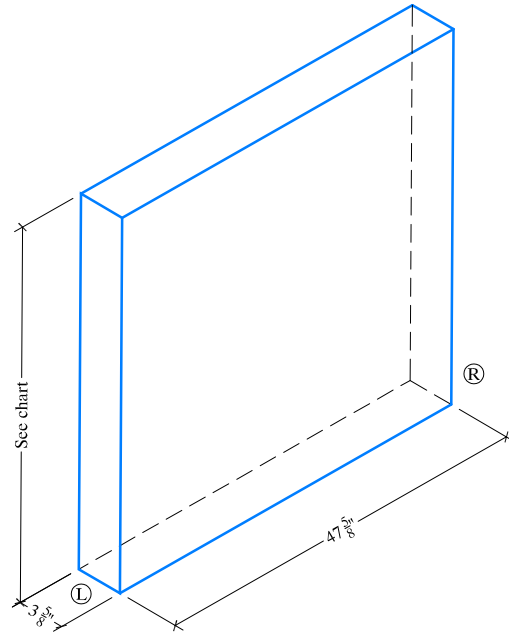
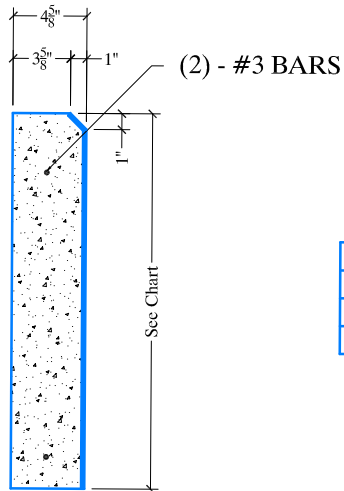


Size Chart
11 5/8"
15 5/8"
23 5/8"

WATER TABLE (W1)

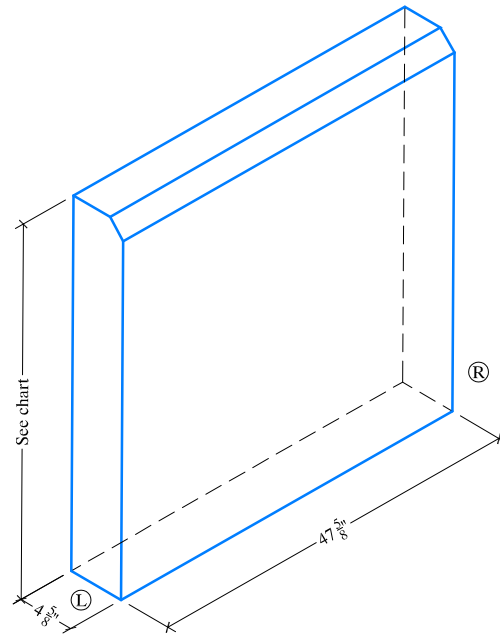


STANDARD UNIT



Size Chart
11 5/8"
15 5/8"
23 5/8"

WATER TABLE (W2)



STANDARD UNIT

Contact: _____ Company: _____ Phone: _____ Fax: _____